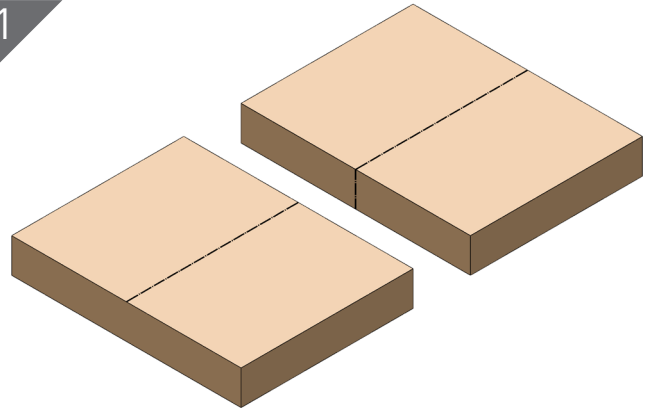


Flush Mounting

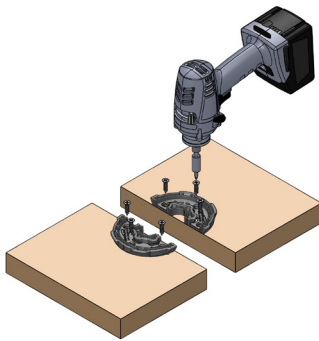
1



Position 2 surfaces tight together into position, mark out a centreline on both surfaces.

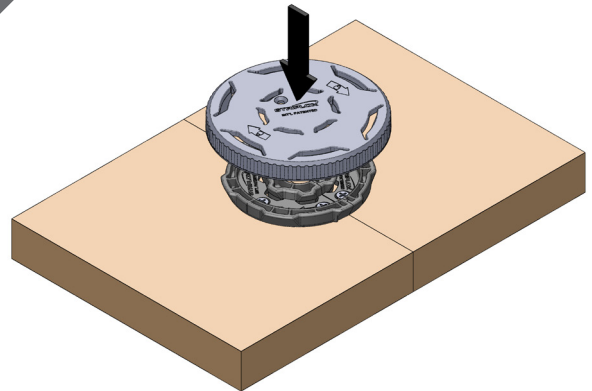
Material	High Strength Reinforced Nylon
Colour	Black
Fixing Method	8G Screws (6x) or Euro screw or Glue

2



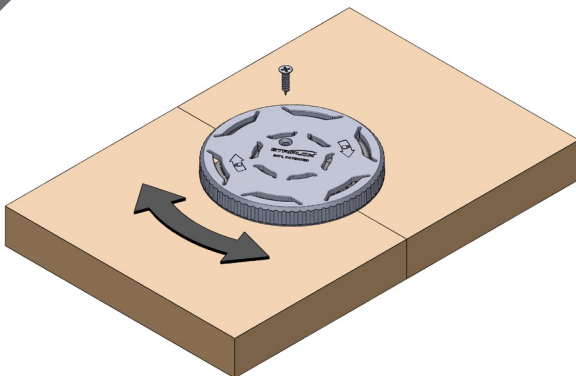
Position 1st half of 180D flush with edge of substrate (note position lug will be slightly proud) ensure main face is flush across the full edge using centreline position and screw into position.

3



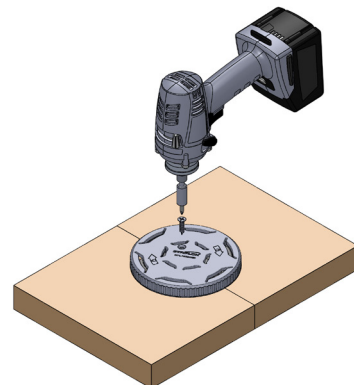
Locking tabs can remain in place, this is the final locking positions.

4



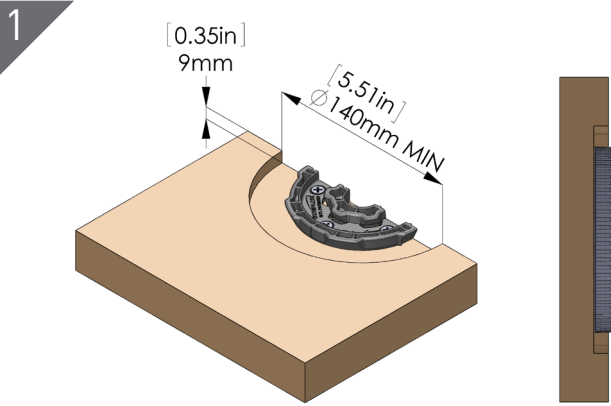
Join 2 surfaces together then place key over the top, push down and turn until locked.

5

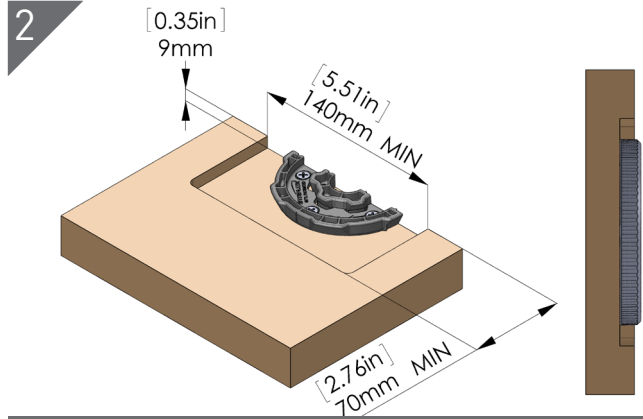


For permanent lockup use a screw position in key ensuring enough embedment into substrate.

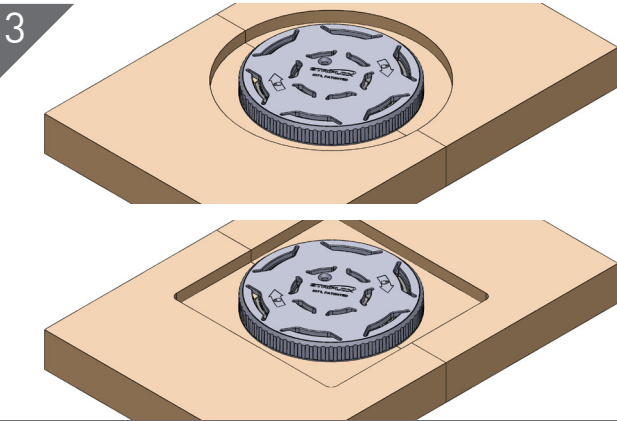
Recess Mounting



Router position at centrelines into 2 surfaces at current depth 9mm, either circular or square cut ensure sufficient clearance for key to lock down and turn.

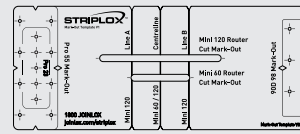


Move the surfaces together tight then push down key and turn to locked position to lock permanently use a screw into key.



Ensure sufficient space to turn and remove locking key.

Installation Aids

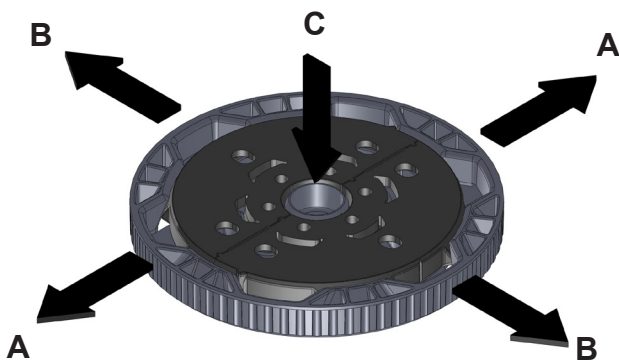


Striplox Mark-Out Template
Developed to aid in the installation of the Striplox Pro 55, 90D 98, Mini 60 and 120, Megalox and 180D.



Striplox Liquidlox
Instant adhesive with a 15 second cure time. Liquidlox delivers a strong and reliable connection between Striplox products and most substrates.

Load Capacity



Direction	Indic. Load Capacity
A	kg/ lbs
B	kg/ lbs
C	kg/ lbs

- Tested using MDF and fixed with screws.
- Ensure sufficient screw embedment in substrate.

Striplox products are designed and tested for a range of applications. Product use is subject to variable materials and conditions. Technical information and load capacities are a guide only without warranty and Joinlox will not be liable for any subsequent damage or loss from the use of the products or this information.